

SPECIFICATION:

HORIZONTAL FRAME : 1 1/2"x3/4" RECTANGULAR TUBE

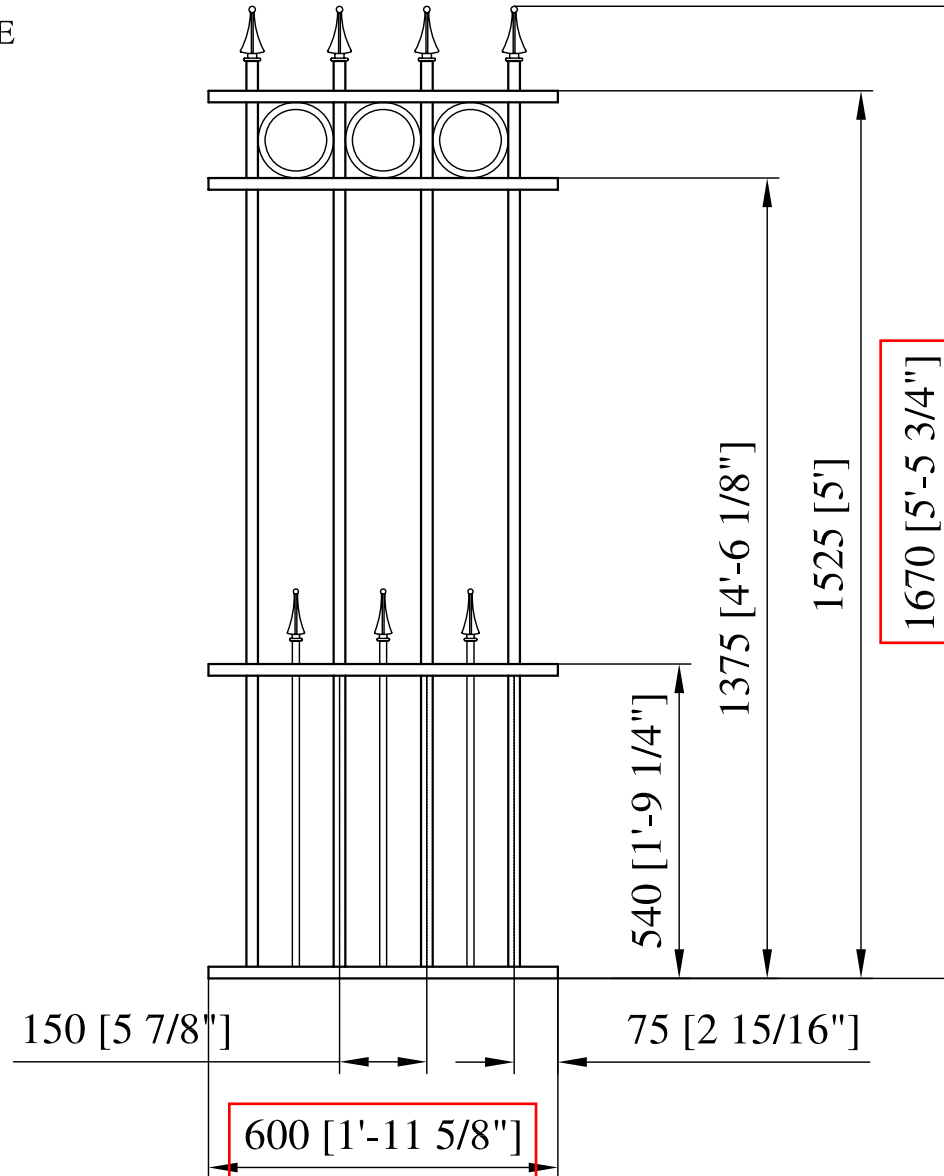
VERTICAL PICKETS : 3/4"x3/4" SQUARE TUBE

DOG PICKETS : 1/2"x1/2" SQUARE TUBE

DECORATION: 3/8"x3/8" SOLID BAR

SPEAR HEAD: #4 (3/4"x3/4" & 1/2"x1/2")

USE FENCE BRACKET : #1 (1 1/2"x3/4")



# AMAZING GATES OF AMERICA LLC.

Approved by:

Date:

Title: AMAZING DWG FENCE INFILL PANEL-WITH DECORATION - CONCORD-L2'-H5'6"

Work order No.: ...

Material: Steel Grade 250(CT3)

Desc.: ASSEMBLY

Quantity No.: 1

Finish: HDG + PC BLACK

Drawing No. (Prod. Code): 007-001-1001

Issued Date: 1/08/09

NOTE: All dimensions in mm (unless noted otherwise)