

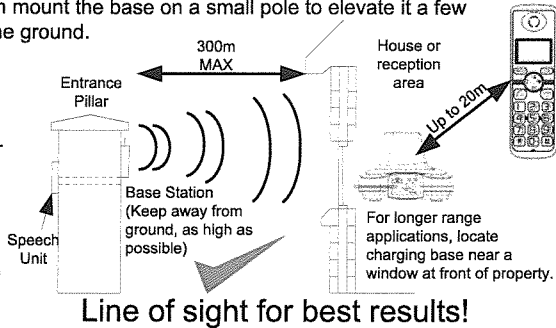
# Installation Manual

## for 602CL Wireless Intercom System

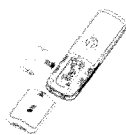
### Installation

- 1) Before installing fully, test the range of the system. Wire the unit as per wiring diagram, place the equipment in the desired location and test operation.
- 2) Ensure that the gate base station is installed to facilitate line of sight with the property or reception area. To achieve best results, mount the base as high as possible from the ground. Should you need to extend range, you can mount the base on a small pole to elevate it a few meters from the ground.

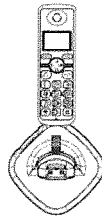
Note: Wood and glass only reduce signal strength by 10-20%. Masonry will reduce signal strength by 20-50% per wall. Metal can totally block signals.



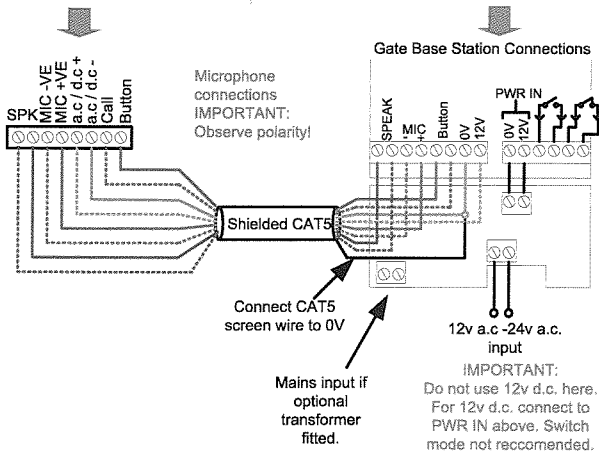
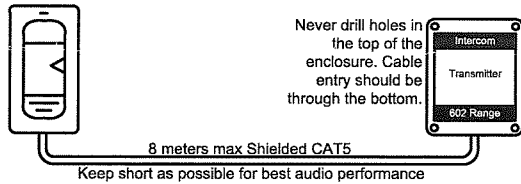
- 3) Power up the master charging base, then install the supplied Mi-MH AAA batteries into the handset as shown.



Charge for at least 12 hours before using, otherwise the battery life may be reduced. Please plug in and switch on the master charging base unit BEFORE installing the batteries.



### 4) Wiring



### Testing

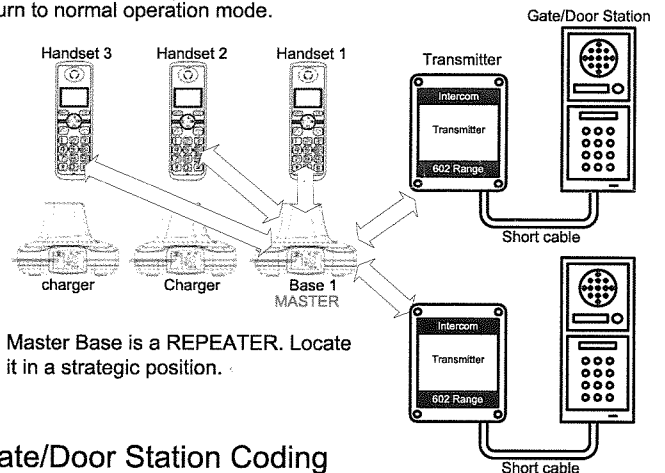
When the door station is powered on, the door station will attempt to ring the handset(s). Provided the handset(s) and charging base are both already on, and within range, the handset(s) should ring.

Press the button on a handset to answer the call, and check for two way speech. **Press and HOLD** the button to activate the door/gate release function.

### Handset Coding

The supplied handsets will already be coded to work with the door station. Should you have purchased an additional handset individually, please follow this procedure...

- 1) To register a new or additional handset, first put the charging base into learn mode. To do this, press and hold the button on the bottom of the charging base for 7 seconds or more, then release it..
- 2) On the new handset, press key.
- 3) Press or repeatedly to choose REGISTER, then press to select.
- 4) Press or to scroll through the base name list (1-4). and press to select base 1.
- 5) If the base is found, and the handset has successfully registered, you will be prompted to enter a pin code. The default is 0000. The base will now assign a number to the handset, and the handset will return to normal operation mode.



### Gate/Door Station Coding

The supplied gate/door station should already be coded with your master base station. If for some reason the system does not work, or you experience interference, it may be necessary to code the gate station.

- 1) On the master charging base station, press and hold button for 7 seconds (found underneath).
- 2) Switch on the power to the gate / door station, and it will begin attempting to ring.
- 3) On the printed circuit board of the gate/door base station, you will find a micro switch. Press and hold this button after the door station has made 2-3 ring tones.
- 4) Continue holding the code button for at least 5-7 seconds. You should hear a short melody De-Du-Do. This is confirmation of success.

**If the process is unsuccessful, it may be necessary to clear the previous coded door station (usually saved as HS2) from the master base (see section below), and then repeat the steps above.**

### Deleting a door station or handset

- 1) On a registered handset, press and then to scroll through options until you reach BS SETTINGS.
- 2) Press to enter. You will see the option TERMINATE HS. Press to select.
- 3) Enter the PIN code 0000 and press .
- 4) Select the device you wish to delete and press to delete.

## Fault Finding and FAQ's

### **Door station makes ringing noise when powered up, but the handset does not ring!**

- 1) Check the handset has batteries installed properly, is switched on, and has been charged for at least an hour.
- 2) Check the handset is in range. Remember that the handset does not directly communicate with the door station, it communicates through the master charging base. All 3 items should be in range of each other. If the handset is out of range with the charging base, it will display "searching".

### **Handset displays "Searching".**

- 1) Check the base station is plugged in and switched on.
- 2) Leave handset on charging base for 2 minutes. It can take some time to register.
- 3) Switch off any other DECT handsets and chargers in the area.
- 4) Remove the batteries of the handset, reinsert and switch on again with the master base already powered up (base should be switched on before handset).

### **Door station rings unexpectedly!**

- 1) Check for water or moisture inside the call button or on the call button terminals inside the speech panel.

### **Door station does not make any ringing sound or attempt when powered up.**

- 1) Check wiring.
- 2) Check power supply is correct. If using the power adaptor board, voltage supply should be ac, 12-24v. If using a mains transformer, check it is either 230v or 110v according to your country supply.
- 3) Check voltage on 12v terminals are between 11v and 13v.
- 4) Check the unit has not been exposed to rain drops, as this will cause permanent damage.
- 5) Contact your distributor for service. The unit may be faulty.

### **Everything works, but the gate / door release does not work!**

- 1) Check that you are not using 12v dc, connected to the bottom power regulating board. If so, please connect as per wiring instructions and use the correct voltage. Measure voltage at the 12v terminals. If it is below 11v, then this is the problem.
- 2) Check the user is holding the hash # key for 3 SECONDS, and not pressing quickly.

### **High levels of Interference can be heard on the handset.**

- 1) Check that the cable length does not exceed the recommended length of 2 meters. If so, reinstall the transmitter closer to the speech panel.
- 2) Ensure that the solid core of the CAT5 shield is connected to 0v at the transmitter end, and if necessary, connect the other end of the shield to the speech panel metal chassis.
- 3) Check that you are not using a switch mode power supply, as these generate high levels of electronic interference.
- 4) Check that you are using a microphone and speech panel that came from the distributor specifically for use with this system. Closely examine the microphone. It will have a very tiny component soldered across the pads, in what appears to look like a short circuit. If this is missing, then contact your distributor.
- 5) The door station and transmitter should not be installed close to any other electronic equipment. Audio cables should never be installed alongside mains or power cables.

### **One handset displays "searching" but others are working.**

The handset is not coded to the base. Follow the coding procedure.