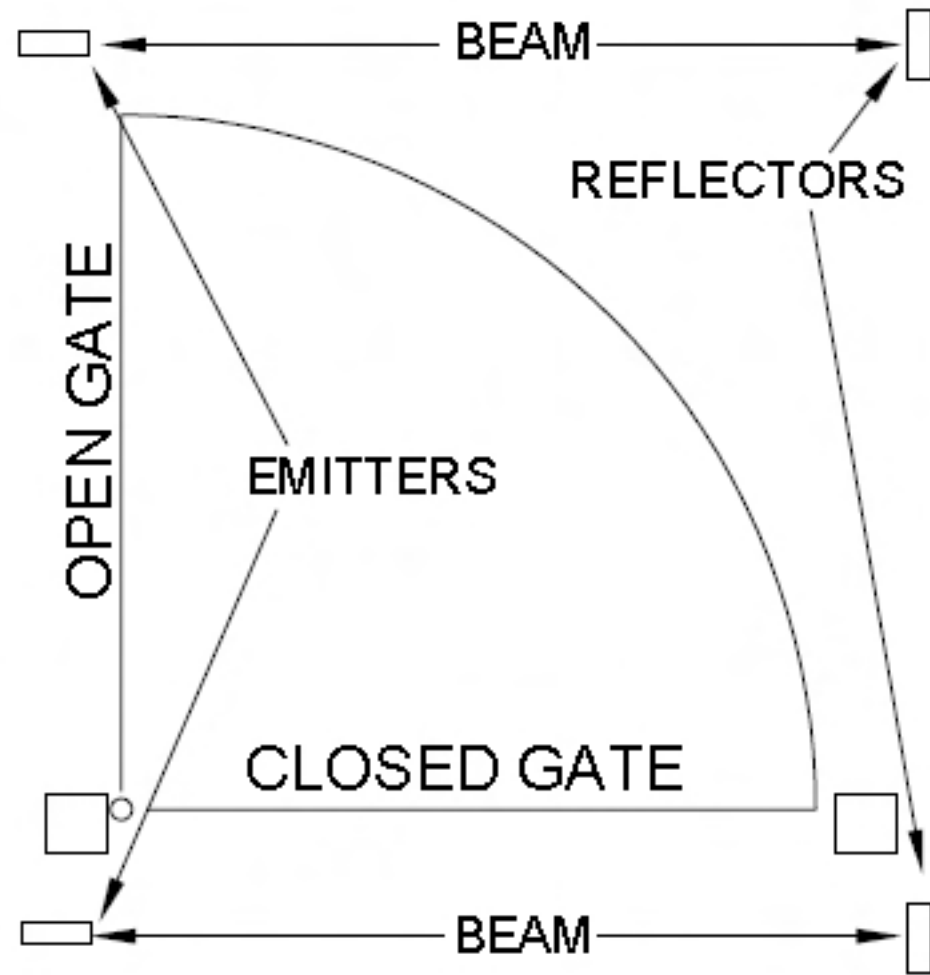
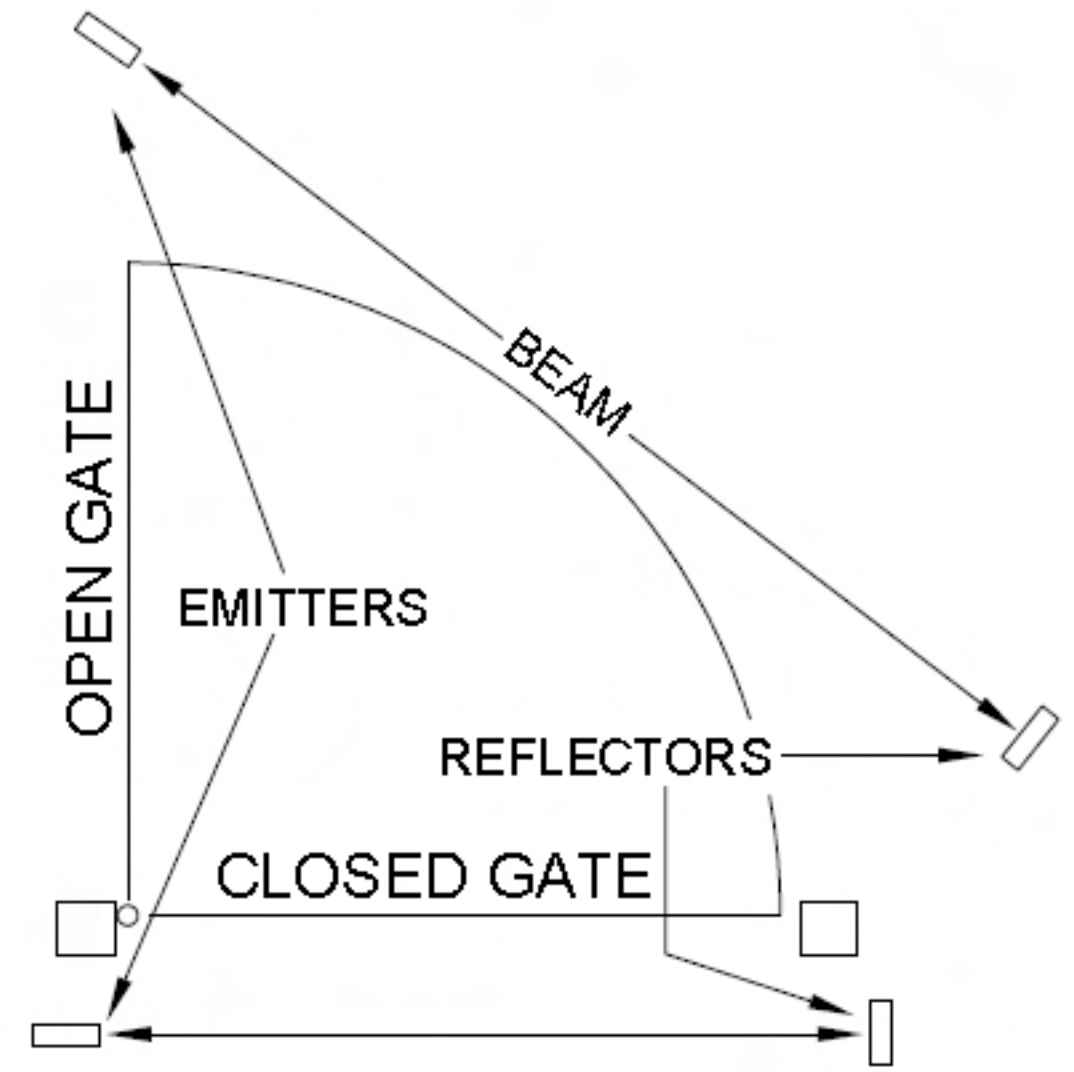


NIR Reflective Photo Eye

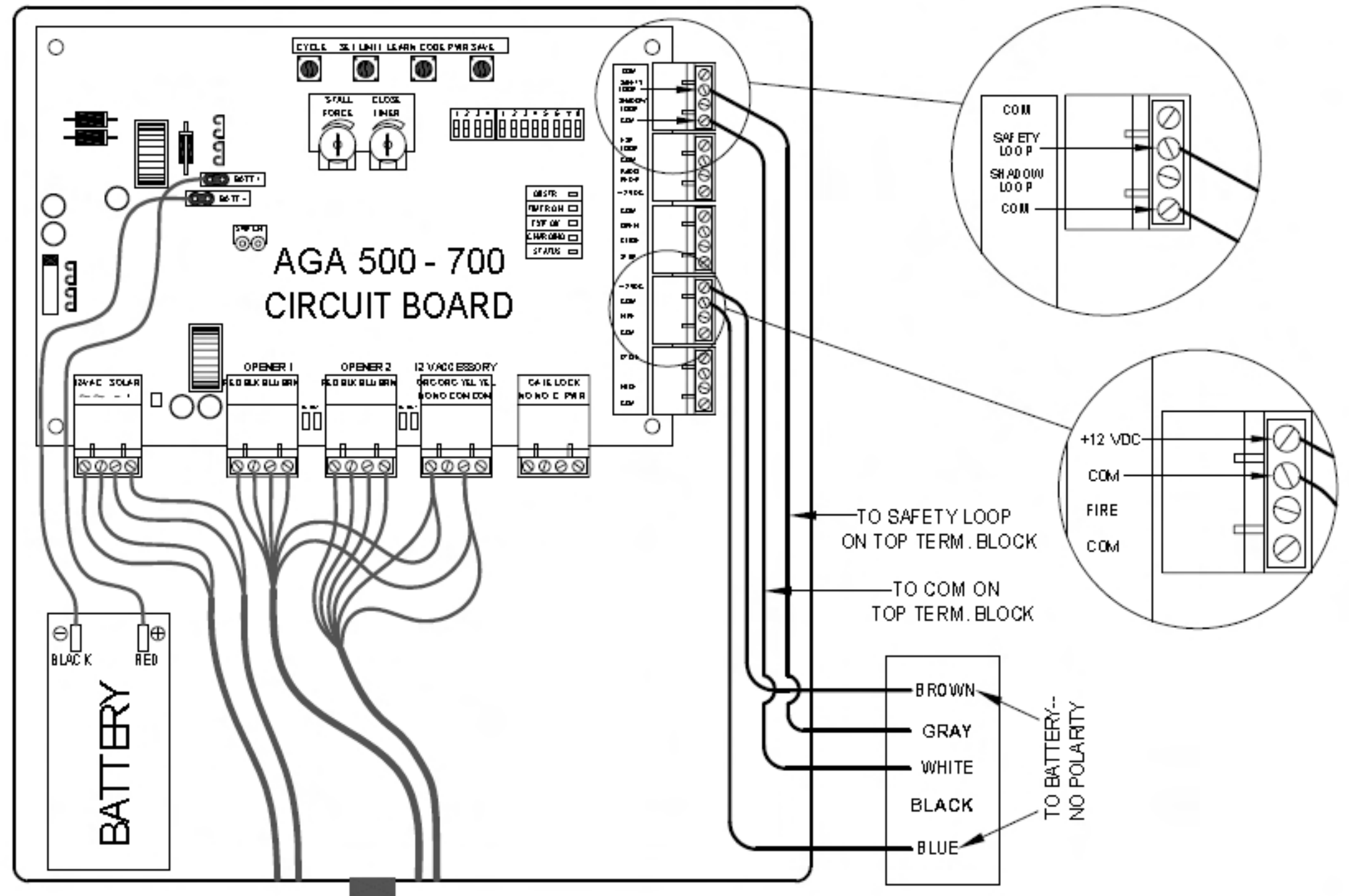


Here are two configurations for using two sets of photo-eyes as "auto-reversing" controls. We recommend using 3' to 4' pieces of redwood or landscaping timbers as mounting posts, setting the photo-eyes about 16" above grade. To test, make sure units are powered, then break the beam. You should hear a small click in the EMITTER module.

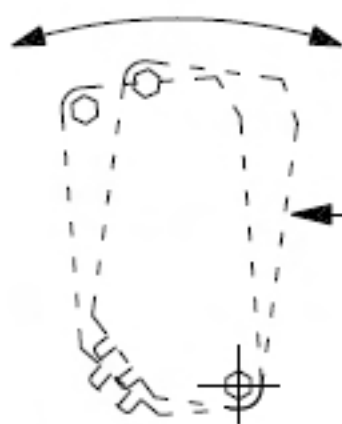
PAIRED WITH AGA GATE OPERATORS



The NIR photo-eye has two parts: the EMITTER and the REFLECTOR. The EMITTER HAS 5 screw terminals labeled by color. Attach the terminals in the emitter to those in on the gate operator circuit board as shown below. Use a direct-burial type of control wire like "sprinkler wire" and position the emitter on the hinge-side of the gate. This requires less wire and less digging.



The EMITTER is adjustable so you can make sure the reflected light beam is returning to the unit from the REFLECTOR.



EMITTER

***Use these instructions in combination with the EMX NIR instructions that come with the photo eye.**



REFLECTOR