

# AUTOMATIC GATE LOCK

## INSTALLATION MANUAL

Model RL1



### Table of Contents

#### AN INTRODUCTION TO YOUR AUTOMATIC GATE LOCK

How the Automatic Gate Lock Operates .....	page 2
Tools/Materials Needed .....	page 2
Parts Included .....	page 2
Determining the Proper Hardware for Your Gate .....	page 3

#### INSTALLING THE AUTOMATIC GATE LOCK

Single Gate Installation .....	page 4
Dual Gate Installation .....	page 6

CONNECTING THE AUTOMATIC GATE LOCK TO THE CONTROL BOARD .....	page 8
---	--------

MANUAL LOCK RELEASE .....	page 8
---------------------------	--------

OTHER AMAZING GATE OPERATOR ACCESSORIES .....	page 9
---	--------

WARRANTY AND REPAIR INFORMATION .....	page 10
---------------------------------------	---------

## AN INTRODUCTION TO YOUR AUTOMATIC GATE LOCK

Please read the entire instruction manual before installing the Automatic Gate Lock.

### How the Automatic Gate Lock Operates

The Amazing Automatic Gate Lock works with an automatic gate operator to securely lock the gate into position without having to step out of a vehicle. The Automatic Gate Lock is wired into the gate operator control box, and when an input device such as a transmitter or keypad is used to open the gate, the Automatic Gate Lock disengages. The gate will then swing open. When closing the gate, the gate retracts and the gate lock automatically engages to secure the gate in the closed position.

The Automatic Gate Lock provides an extra level of protection. In addition, it also provides stability for the gate by securely locking the gate into position. Thus, damaging affects, such as wind, are minimized. The result is the gate and automatic gate operator will stay in excellent working condition for a much longer time.

**NOTE:** Due to various types of gates and mounting applications, mounting hardware has not been included with the Automatic Gate Lock. All hardware necessary to mount the Automatic Gate Lock can be purchased from your local hardware store.

**NOTE:** Due to various types of gates and mounting applications, this manual shows examples of the two most common types of installations. These two types of installations should give insight to most other installations.

**NOTE:** In order for the Automatic Gate Lock to work properly, the gate must close firmly against the stop gate post or closed position stop plate. To achieve the desired closed position, you may need to slightly adjust the gate operator closed limit set points. Instructions for adjusting the closed limit set points are included in your automatic gate operator manual.

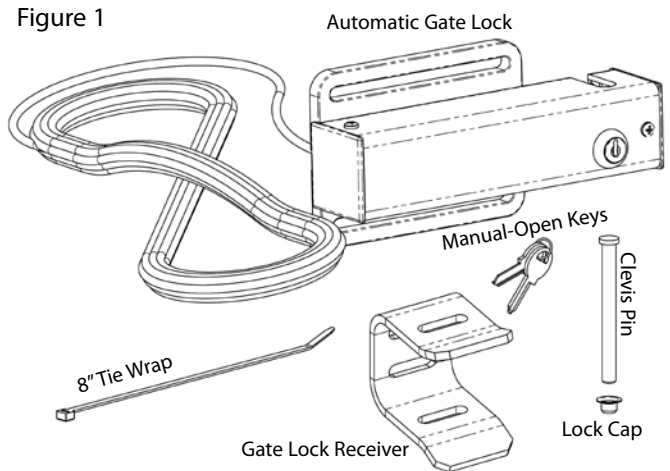
**NOTE:** If you are installing the Automatic Gate Lock on a push-to-open gate (the actuator is fully retracted when the gate is in the closed position), the lock must be installed on the outside of the gate.

### Tools/Materials Needed

Electric drill, screwdriver, wrenches, hammer, marker, and mounting hardware.

### Parts Included (Fig. 1)

Automatic Gate Lock w/ 25' Cable (1); Gate Lock Receiver (1); Clevis Pin (1); Lock Cap (1); Manual-Open Keys (2); and 8" Tie Wrap-Black (6).

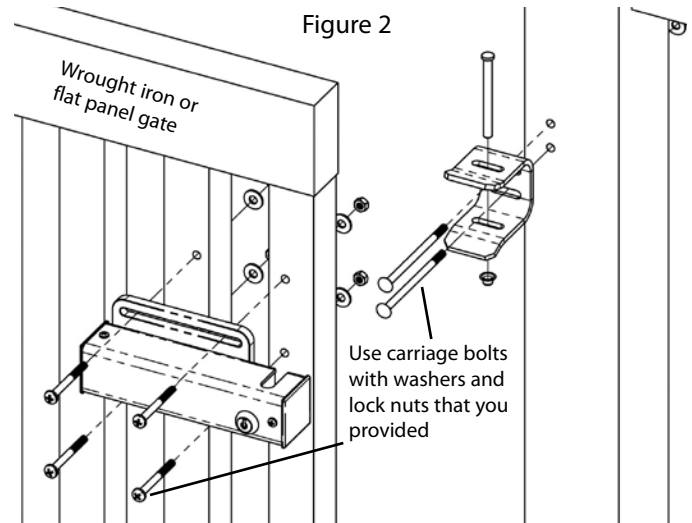


## Determining the Proper Hardware for Your Gate

NOTE: The Automatic Gate Lock is designed to accommodate hardware up to 5/16" diameter. Always use lock washers and lock nuts to ensure secure mounting.

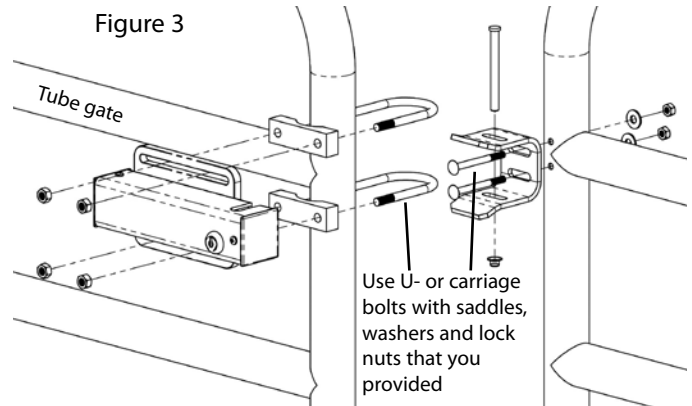
### Wrought Iron or Flat Panel Gates

For installations on most wrought iron or flat panel gates, you will need to use carriage bolts with washers and lock nuts to secure the Automatic Gate Lock and Gate Lock Receiver (see Fig. 2).



### Chain Link or Thin Wall Tube Gates

For installations on most chain link or thin-walled tube gates you will need to use U-bolts with saddles, washers and lock nuts to secure the Automatic Gate Lock. You will also need to use carriage bolts with washers and lock nuts to secure the Gate Lock Receiver (see Fig. 3).



## INSTALLING THE AUTOMATIC GATE LOCK

NOTE: The Automatic Gate Lock can be installed on single or dual gates.

### Single Gate Installation

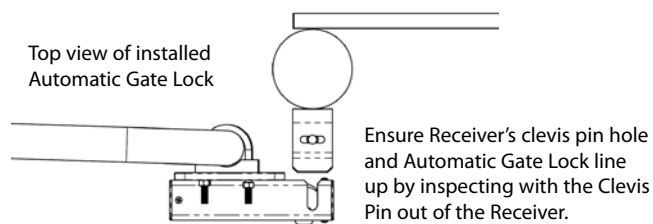
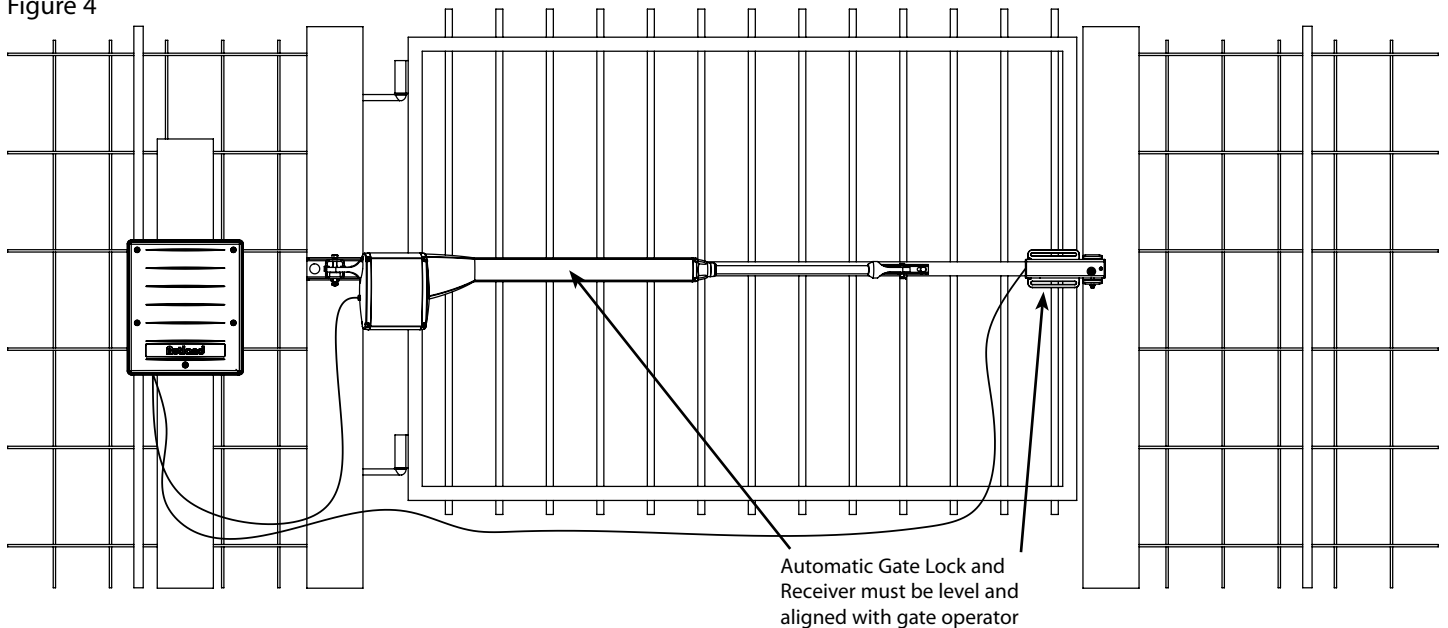
#### Step 1

Assemble the Automatic Gate Lock and Receiver by putting the clevis pin through the receiver clevis pin slots (do not fasten the locking cap). Position the opening in the Automatic Gate Lock over the Receiver and clevis pin. Push firmly until the Automatic Gate Lock locking mechanism closes around the Receiver clevis pin.

#### Step 2

With the gate in the closed position, place the Automatic Gate Lock and Receiver assembly onto the gate to determine the best location for mounting. The Automatic Gate Lock and Receiver should be level and aligned with the gate operator. Also, ensure the Receiver is aligned and against the gate post it will be mounted on (see Fig. 4).

Figure 4



### Step 3

Once the position of the Automatic Gate Lock and Receiver is determined, use a marker or scribe to mark the drill hole locations for the Receiver and the Automatic Gate Lock. After marking hole locations remove the clevis pin from the Receiver.

**NOTE:** When marking the location of the drill holes for the Receiver, make the marks in the middle of the Receiver bolt slots to allow for slight adjustments.

### Step 4

Drill the appropriate sized holes through the gate post and fasten the Receiver to the gate post using the carriage bolts, washers and lock nuts you have supplied (see Fig. 2 and 3).

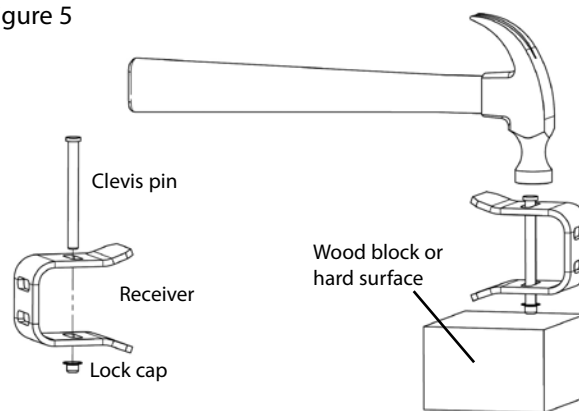
### Step 5

Once you have rechecked the Automatic Gate Lock position to the Receiver, mount the Automatic Gate Lock using the U-Bolts with saddles you supplied. Or drill the appropriate sized holes through the gate or the reinforcement plate, and then use the appropriate hardware you have supplied to mount the Automatic Gate Lock (see Fig. 2 or 3).

### Step 6

Install the clevis pin into the Receiver clevis pin slots and use a hammer to pound the clevis pin into the locking cap (see Fig. 5). Proceed to Step 7 in the "Connecting the Automatic Gate Lock to the Control Board" section.

Figure 5



## Dual Gate Installation

NOTE: In a dual gate installation, the gate operator closest to the control box is referred to as Operator 1. The gate operator farthest away from the control box is referred to as Operator 2.

NOTE: When installing the Automatic Gate Lock on a dual gate, the control box must be set so Operator 1 opens first and closes last. If your dual gate is not set in this manner, you must reset the DIP switch settings in the control box. Please refer to the "Control Board Settings" section in your gate operator Installation Manual.

NOTE: The Automatic Gate Lock must be mounted on the Operator 1 gate and the Receiver must be mounted on the Operator 2 gate (see Fig. 6).

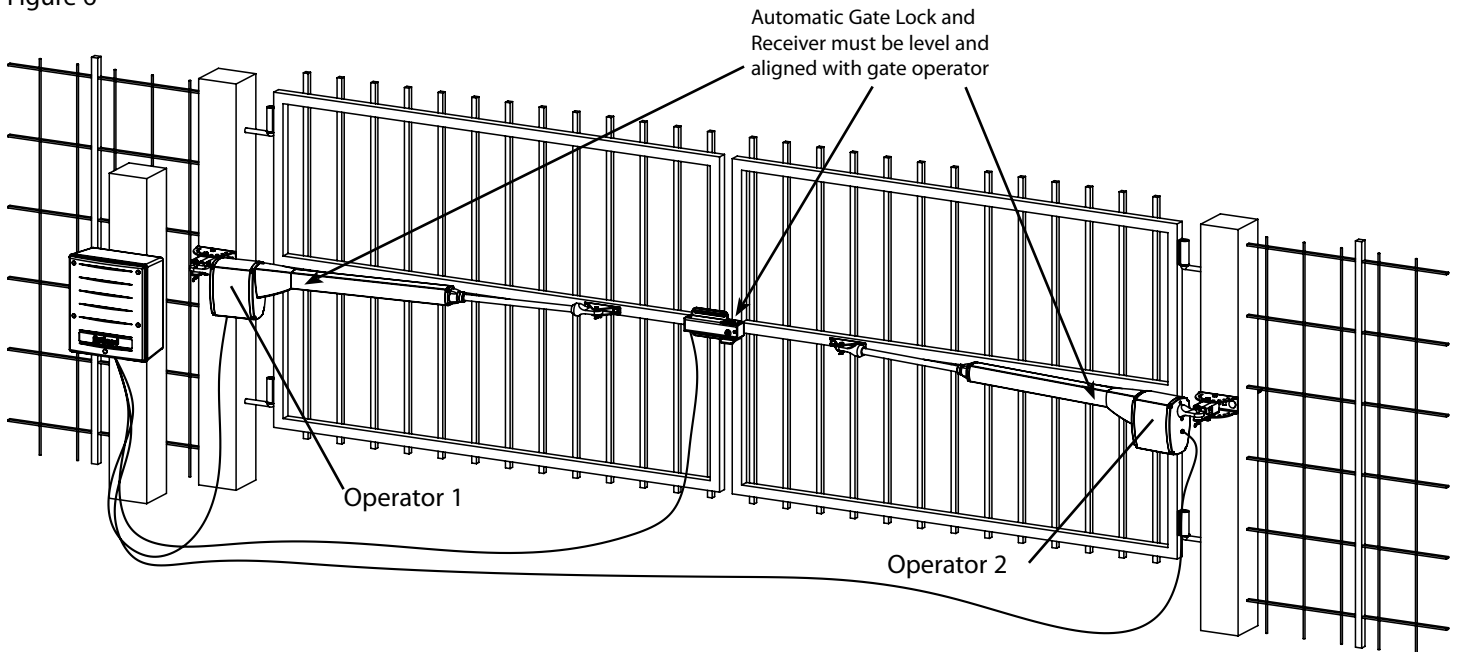
### Step 1

Assemble the Automatic Gate Lock and Receiver by putting the clevis pin through the Receiver clevis pin slots (do not fasten the locking cap). Position the opening in the Automatic Gate Lock over the Receiver and clevis pin. Push firmly until the Automatic Gate Lock locking mechanism closes around the Receiver clevis pin.

### Step 2

With the gates in the closed position, place the Automatic Gate Lock and Receiver assembly onto the gate to determine the best location for mounting. The Automatic Gate Lock and Receiver should be level and aligned with the gate operator's. Ensure the Automatic Gate Lock is aligned and against the gate for Operator 1 and the Receiver is aligned and against the gate for Operator 2 (see Fig. 6).

Figure 6



Top view of installed Automatic Gate Lock

Ensure Receiver's clevis pin hole and Automatic Gate Lock line up by inspecting with the Clevis Pin out of the Receiver.

**Step 3**

Once the position of the Automatic Gate Lock and Receiver is determined, use a marker or scribe to mark the drill hole locations for the Receiver and the Automatic Gate Lock. After marking hole locations remove the clevis pin from the Receiver.

**NOTE:** When marking the location of the drill holes for the Receiver, make the marks in the middle of the Receiver bolt slots to allow for slight adjustments.

**Step 4**

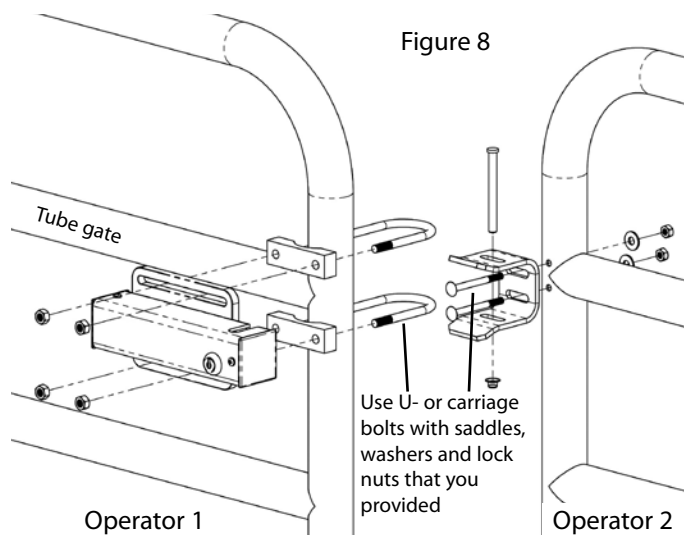
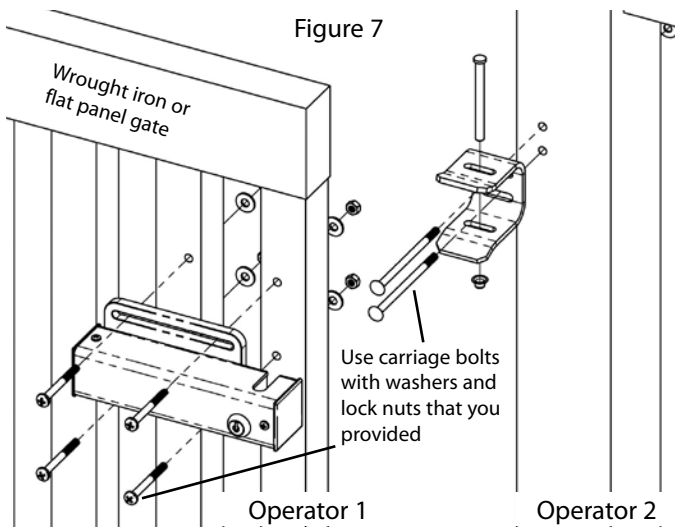
Drill the appropriate sized holes through the gate for Operator 2 and fasten the Receiver to the gate for Operator 2 using the carriage bolts, washers and lock nuts you have supplied (see Fig. 7 and 8).

**Step 5**

Once you have rechecked the Automatic Gate Lock position to the Receiver, mount the Automatic Gate Lock using the U-Bolts with saddles you supplied. Or drill the appropriate sized holes through the gate for Operator 1 or the reinforcement plate, and use the hardware you have supplied to mount the Automatic Gate Lock (see Fig. 7 or 8).

**Step 6**

Install the clevis pin into the Receiver clevis pin slots and secure the clevis pin with the locking cap (see Fig. 5). Proceed to Step 7 in the next section.



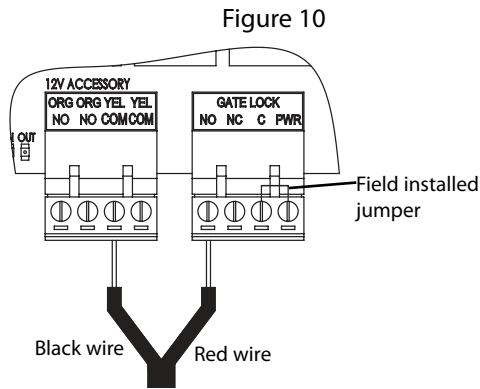
## CONNECTING THE AUTOMATIC GATE LOCK TO THE CONTROL BOARD

### Step 7

Before opening the Control Box, set the Control Box power switch to the OFF position.

### Step 8

Connect the RED Automatic Gate Lock wire to the GATE LOCK NO terminal. Connect the BLACK Automatic Gate Lock wire to the YEL COM terminal. Connect jumper between GATE LOCK C terminal and GATE LOCK PWR terminal (see Fig. 10).



### Step 9

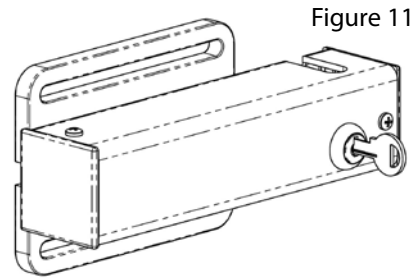
Test the Automatic Gate Lock by pressing an input device such as a transmitter or keypad and run one complete gate open/close cycle. If you have a dual gate, ensure that the Operator 1 gate opens first. Upon closing, ensure that the Operator 2 gate closes first. If the Automatic Gate Lock does not function correctly, follow the three steps below.

1. Recheck that the gate lock is wired properly.
2. Recheck that the Automatic Gate Lock is properly aligned and installed correctly on the gate and post.
3. If the problem has not been resolved, please call Customer Support.

Note: Use caution during initial testing of gate and Automatic Gate Lock. If the Automatic Gate Lock does not open, damage to the gate can occur. To avoid damage, be prepared to turn the Control Box power switch OFF if the Automatic Gate Lock does not open before the gate starts to move.

## MANUAL LOCK RELEASE

The Automatic Gate Lock can be manually opened if the gate operator system should be disabled by inserting the Lock Key into the lock and manually turning the Lock Release (see Fig. 11).



### Customer Service

8:00am to 5:00pm, MST time, Monday – Friday

Amazing Gates of America  
 608 Tierra Montana Lp  
 Bernalillo, NM 87004  
 Phone: 800-234.3952  
 Fax: 800-830-3952; Email: ask@amazinggates.com



## OTHER AMAZING GATE OPERATOR ACCESSORIES

### LIST OF ACCESSORIES



Solar Powered Battery Charger (5-Watt: RSP5; 10-Watt: RSP10; 20-Watt: RSP20)  
The solar panel charges the 12 volt battery when AC power is not available.



One-Button Transmitter (RT1) The transmitter works as an input device allowing the user to open or close the gate from a remote location. It has a range up to 300 feet.



Two-Button Transmitter (RT2) The two-button transmitter provides the capability to remotely operate two separate devices such as two gates, or a gate and a garage door opener. It has a range up to 300 feet.



Mini-transmitter (RKF1) The mini-transmitter fits on a keychain and allows the user to open or close the gate from a remote location. It has a range up to 300 feet.



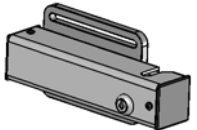
Keypad (RKP1) The keypad allows for entry by authorized guests informed of the pre-set code. Entering the correct code causes the gate to open or close. The access code can be easily modified.



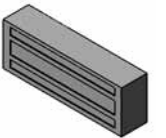
Pin Lock (RPL1) The pin lock replaces the clevis pin when mounting the gate operator to the brackets. It helps to prevent theft of the gate operator from the gate, while allowing quick release of the operator.



In-Ground Vehicle Sensor (RGS1) The vehicle sensor is buried near the gate and senses a vehicle that passes within its 12-foot range. Once detected, the gate opens automatically.



Automatic Gate Lock (RL1) The automatic gate lock provides an additional level of security for the property. When the gate swings shut, the gate lock closes, securing the gate in the closed position. The gate lock is powered from the control box of the gate operator. The locking mechanism is a mechanical latch.



Automatic Gate Lock (RL2) The automatic gate lock provides an additional level of security for the property. When the gate swings shut, the gate lock closes, securing the gate in the closed position. The gate lock is powered from an external AC power source. The locking mechanism is magnetic.



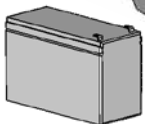
Push-to-Open Bracket (RAB1) This bracket is necessary for push-to-open installations.



4" Round Post Adaptor Bracket (RAB2) Not Available



6" Round Post Adaptor Bracket (RAB3) Not Available



Replacement Battery (RRB1) Standard 12 volt, 7.2 amp-hour, maintenance free battery.

## WARRANTY AND REPAIR INFORMATION

You may obtain additional copies of this manual from our web site at [www.amazinggates.com](http://www.amazinggates.com), or contact Amazing Gates at: 608 Tierra Montana Lp, Bernalillo, NM 87004, 800-234-3952.

### Two Year Limited Warranty

#### Limited Warranty Coverage

If your Automatic Gate Accessory (sometimes also referred to as the "Product") does not work properly because of a defect in materials or workmanship, Amazing Gates of America will, for the length of the period indicated below, which starts with the date of the original purchase by the first non-consumer purchaser (the "Limited Warranty period"), at its option either (a) repair your Product with new or refurbished parts, or (b) replace it with a new or a refurbished Product. The decision to repair or replace will be made by Amazing Gates.

Parts	Labor
Two (2) Years	Two (2) Years

During the "Labor" Limited Warranty period there will be no charge for labor. (Note: labor applies only to the repair of the Product at an Authorized Repair Center. It does not apply to removal or installation of the Product any purchaser's premises). During the "Parts" Limited Warranty period, there will be no charge for parts.

You must ship your Amazing Gates Accessory to Amazing Gates during the applicable Limited Warranty period. This Limited Warranty excludes both parts and labor for batteries, antennas, and cosmetic parts (such as the Product housing). This Limited Warranty only applies to Products purchased in the United States. This Limited Warranty is extended only to the original non-consumer purchaser ("you" or "your") of a new Product that was not sold "as is".

#### Limited Warranty Service

For assistance in the continental U.S.A. in obtaining the benefit of the Limited Warranty please carefully follow these steps:

- 1) Complete carefully all troubleshooting procedures in the Maintenance and Troubleshooting Guide in this Manual.
- 2) If you are still unable to solve the problem, contact Amazing Gates customer service at 1-800-234.3952. Please have the model and serial number of the Product available to give to the customer service representative. The customer service representative will provide further assistance or authorize repair or replacement, as appropriate.
- 3) If repair or replacement is appropriate you will be given a return authorization number (RMA#). This RMA# must be visible on all documents and packages returned to Amazing Gates.
- 4) Carefully pack the defective Product or Product part in a sturdy shipping carton, include (i) a letter detailing the complaint, (ii) a daytime phone number where you can be reached, (iii) your name and address for any return, (iv) your sales receipt/proof of purchase, and (v) the RMA# on all correspondence and the shipping carton.
- 5) Prepay the freight and insure the defective Product or Product part against shipping damage. Note that defective Products or Product parts shipped freight collect will not be accepted.

- 6) Ship the carton to: Amazing Gates, 608 Tierra Montana LP, Bernalillo, NM 87004, or where directed by the customer service representative.

IF REPAIR OR REPLACEMENT IS NEEDED DURING THE LIMITED WARRANTY PERIOD, YOU WILL BE REQUIRED TO FURNISH A SALES RECEIPT/PROOF OF PURCHASE INDICATING DATE OF PURCHASE, AMOUNT PAID AND PLACE OF PURCHASE. YOU WILL BE CHARGED FOR THE REPAIR OF ANY PRODUCT OR PRODUCT PART RECEIVED WITHOUT SUCH PROOF OF PURCHASE OR FOR REPAIRS REQUESTED AFTER THE APPLICABLE LIMITED WARRANTY PERIOD.

#### Limited Warranty Limitations and Exclusions

This Limited Warranty ONLY COVERS failures due to defects in materials or workmanship, and DOES NOT COVER normal wear and tear or cosmetic damage. The Limited Warranty ALSO DOES NOT COVER damages which occurred in shipment, or failures which are caused by products not supplied by Amazing Gates, or failures which result from accidents, misuse, abuse, neglect, mishandling, misapplication, modifications or alterations, faulty installation, connection to an improper power source, set-up adjustments, misadjustment of controls, improper maintenance, power line surges, damage from acts of God such as lightning, wind, fire, flood or insects, introduction of sand, humidity or liquids, commercial or rental use or service by anyone other than an Authorized Repair Center.

THERE ARE NO EXPRESS WARRANTIES EXCEPT AS STATED UNDER "LIMITED WARRANTY COVERAGE". AMAZING GATES IS NOT LIABLE FOR INCIDENTAL OR CONSEQUENTIAL DAMAGES RESULTING FROM THE USE OF THE PRODUCT, OR ARISING OUT OF ANY BREACH OF THIS LIMITED WARRANTY. (As examples, this excludes damages for lost time, lost calls or messages, cost of having someone remove or re-install an installed Product or Product part, travel to and from an Authorized Repair Center, etc. The examples listed are not an exhaustive or exclusive list, but are for illustration only). ALL EXPRESS AND IMPLIED WARRANTIES, INCLUDING ANY IMPLIED WARRANTIES OF MERCHANTABILITY OR FITNESS FOR A PARTICULAR PURPOSE, ARE LIMITED TO THE PERIOD OF THE LIMITED WARRANTY.

Some States do not allow the exclusion or limitation of incidental or consequential damages, so the above limitation or exclusion may not apply to you.

Some States do not allow limitations on how long an implied warranty lasts, so the above limitation may not apply to you.

This warranty gives you specific legal rights, and you may also have other rights which vary from State to State.

PARTS AND SERVICES WHICH ARE NOT EXPRESSLY COVERED BY THIS LIMITED WARRANTY ARE YOUR RESPONSIBILITY.