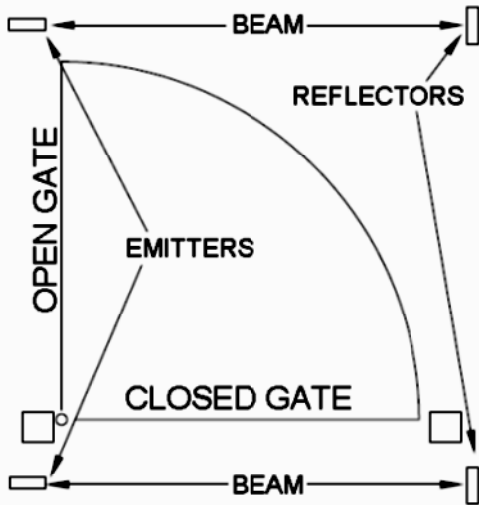
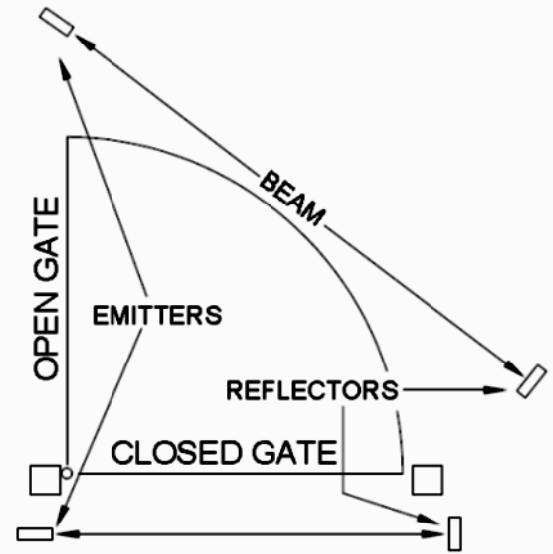


# NIR Reflective Photo Eye

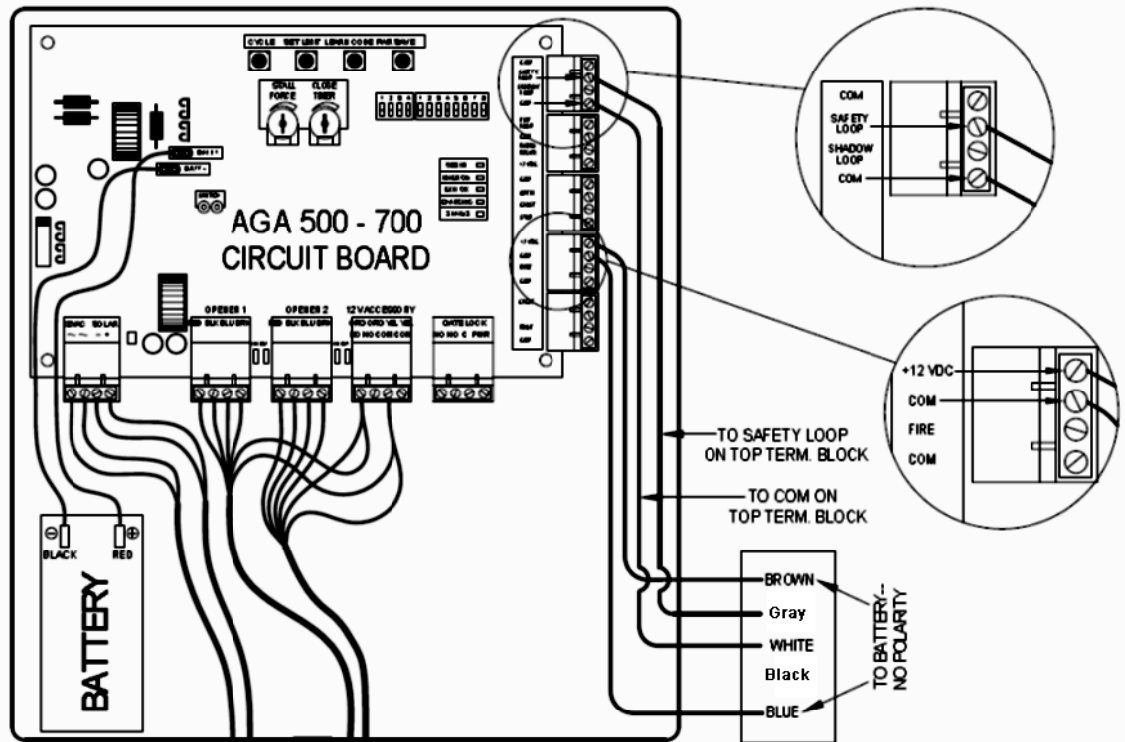
PAIRED WITH AGA GATE OPERATORS



Here are two configurations for using two sets of photo-eyes as "auto-reversing" controls. We recommend using 3' to 4' pieces of redwood or landscaping timbers as mounting posts, setting the photo-eyes about 16" above grade. To test, make sure units are powered, then break the beam. You should hear a small click in the EMITTER module.



The **NIR** photo-eye has two parts: the **EMITTER** and the **REFLECTOR**. The **EMITTER** HAS 5 screw terminals labeled by color. Attach the terminals in the emitter to those in on the gate operator circuit board as shown below. Use a direct-burial type of control wire like "sprinkler wire" and position the emitter on the hinge-side of the gate. This requires less wire and less digging.



The **EMITTER** is adjustable so you can make sure the reflected light beam is returning to the unit from the **REFLECTOR**.



**\*Use these instructions in combination with the EMX NIR instructions that come with the photo eye.**

