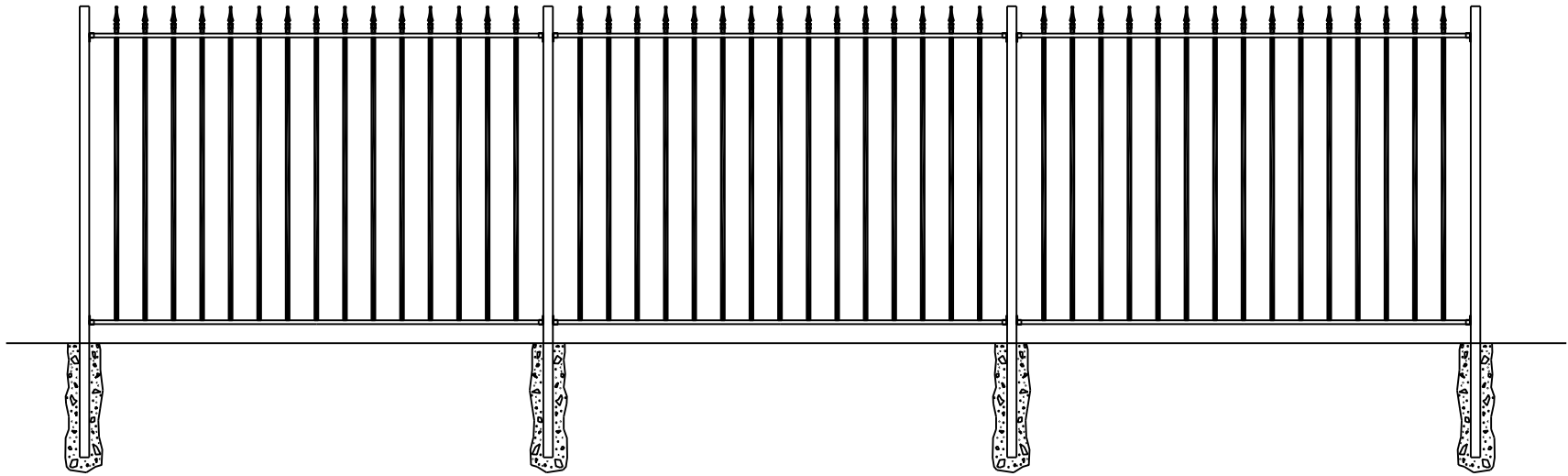
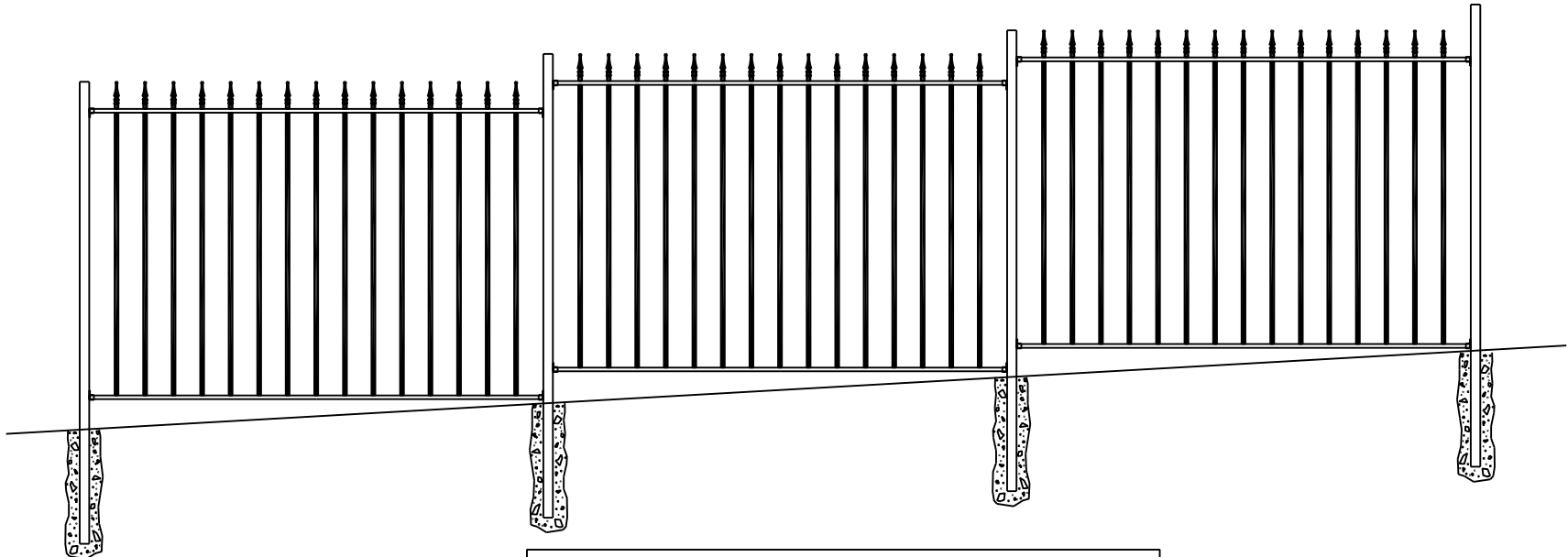


AMAZING FENCE INSTALLATION



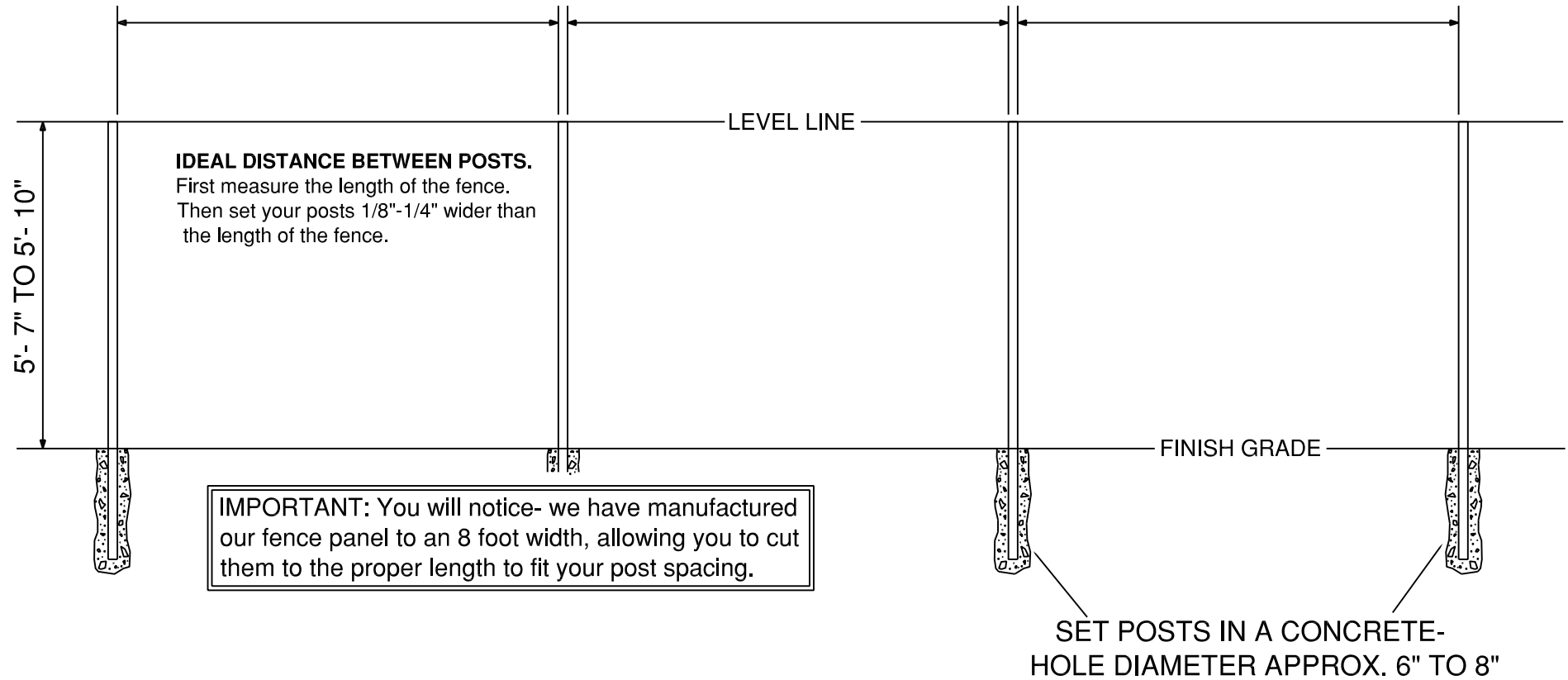
LAYOUT ON LEVEL GROUND

POST-TOPS STEP TO MATCH TERRAIN



LAYOUT ON SLOPED GROUND

AMAZING FENCE INSTALLATION



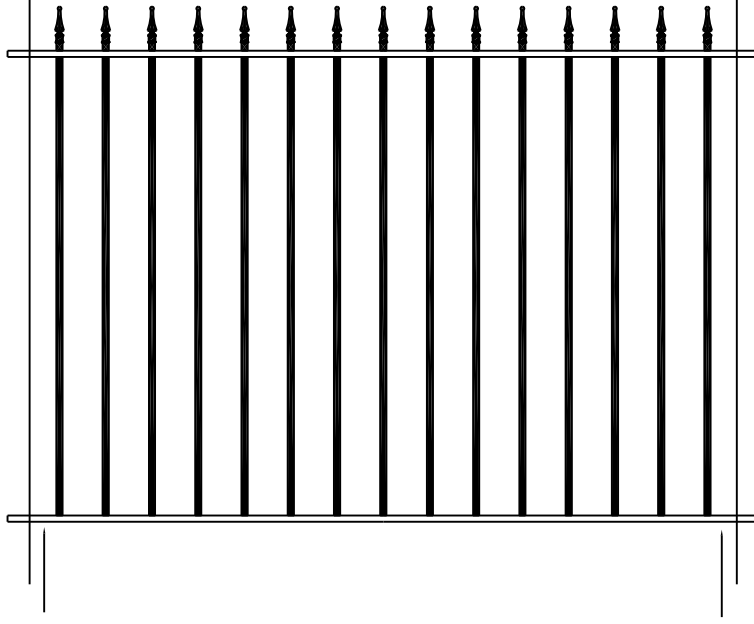
SETTING POSTS

AMAZING FENCE INSTALLATION

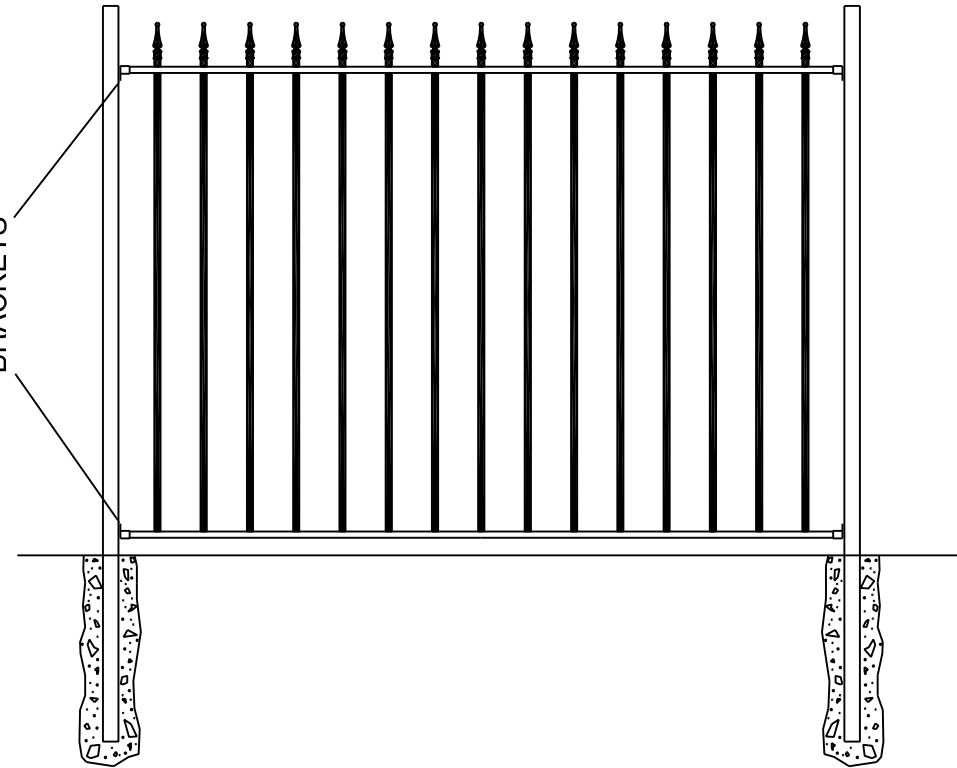
CUT HERE

CUT HERE

CUT PANEL 1/8"-1/4" SHORTER THAN THE
OPENING BETWEEN POSTS, THIS IS
THE BRACKET ALLOWANCE.



END
BRACKETS

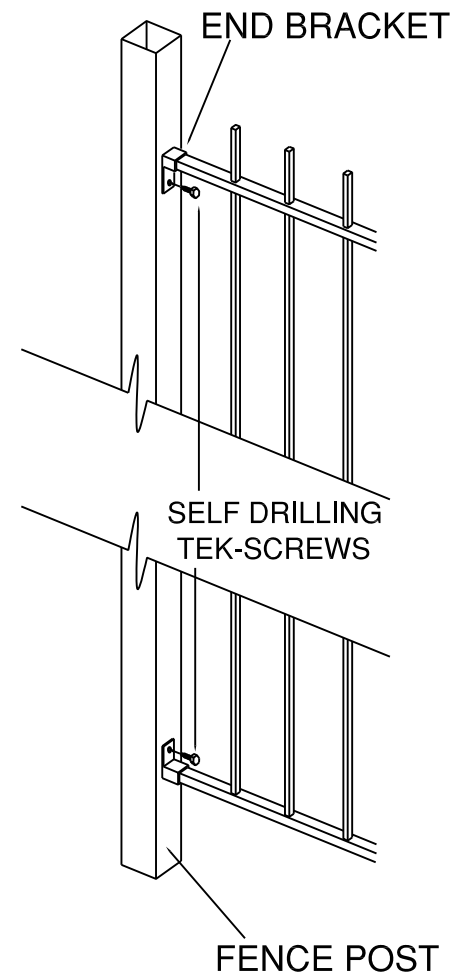
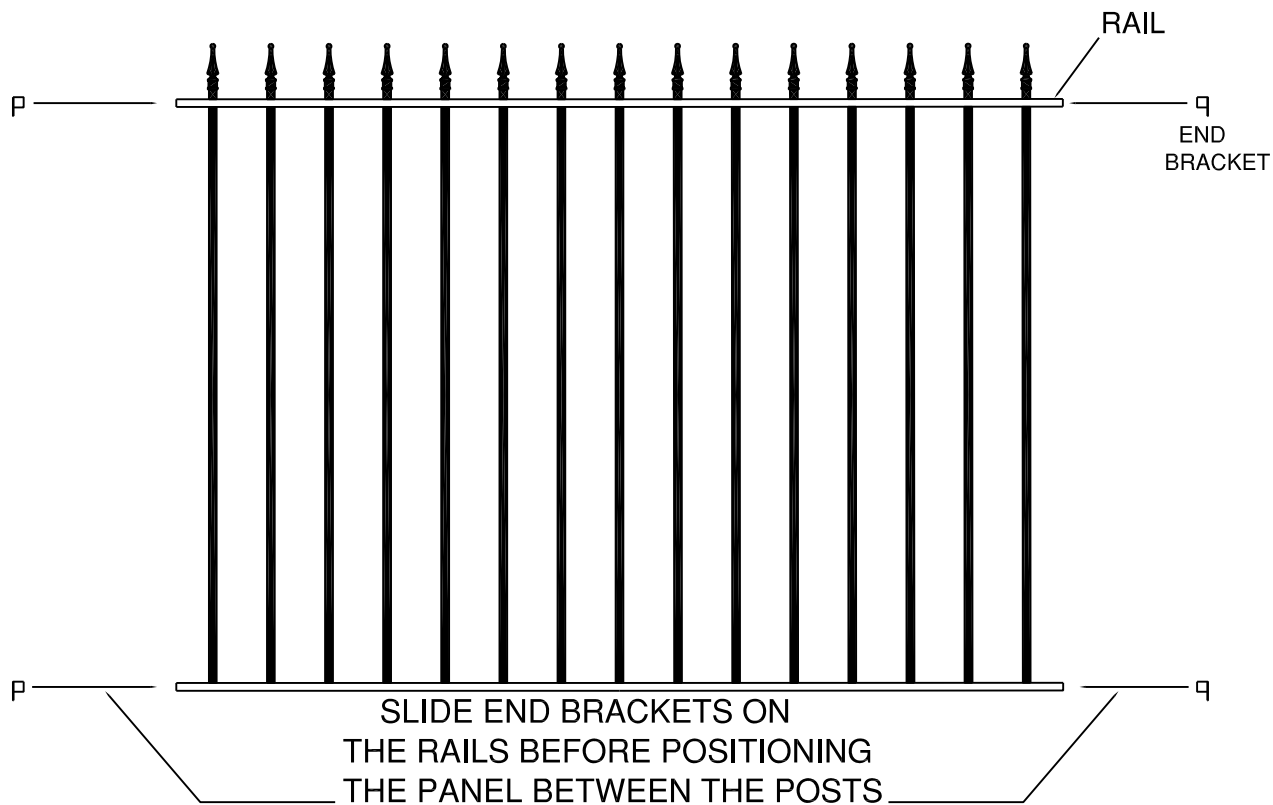


* NOTE: CUT THE PANEL SO THAT THE REMAINING RAIL
LENGTH AT EACH END IS THE SAME. IT LOOKS MORE
BALANCED. RAILS CUT EASILY WITH A HACKSAW, A
SAWZ-ALL OR A GRINDER WITH CUTTING WHEEL.

CUTTING A FENCE PANEL

AMAZING FENCE INSTALLATION

NOTE: IF PANEL HAS MORE THAN TWO RAILS, PUT AN END BRACKET ON EACH RAIL.



MOUNTING A FENCE PANEL