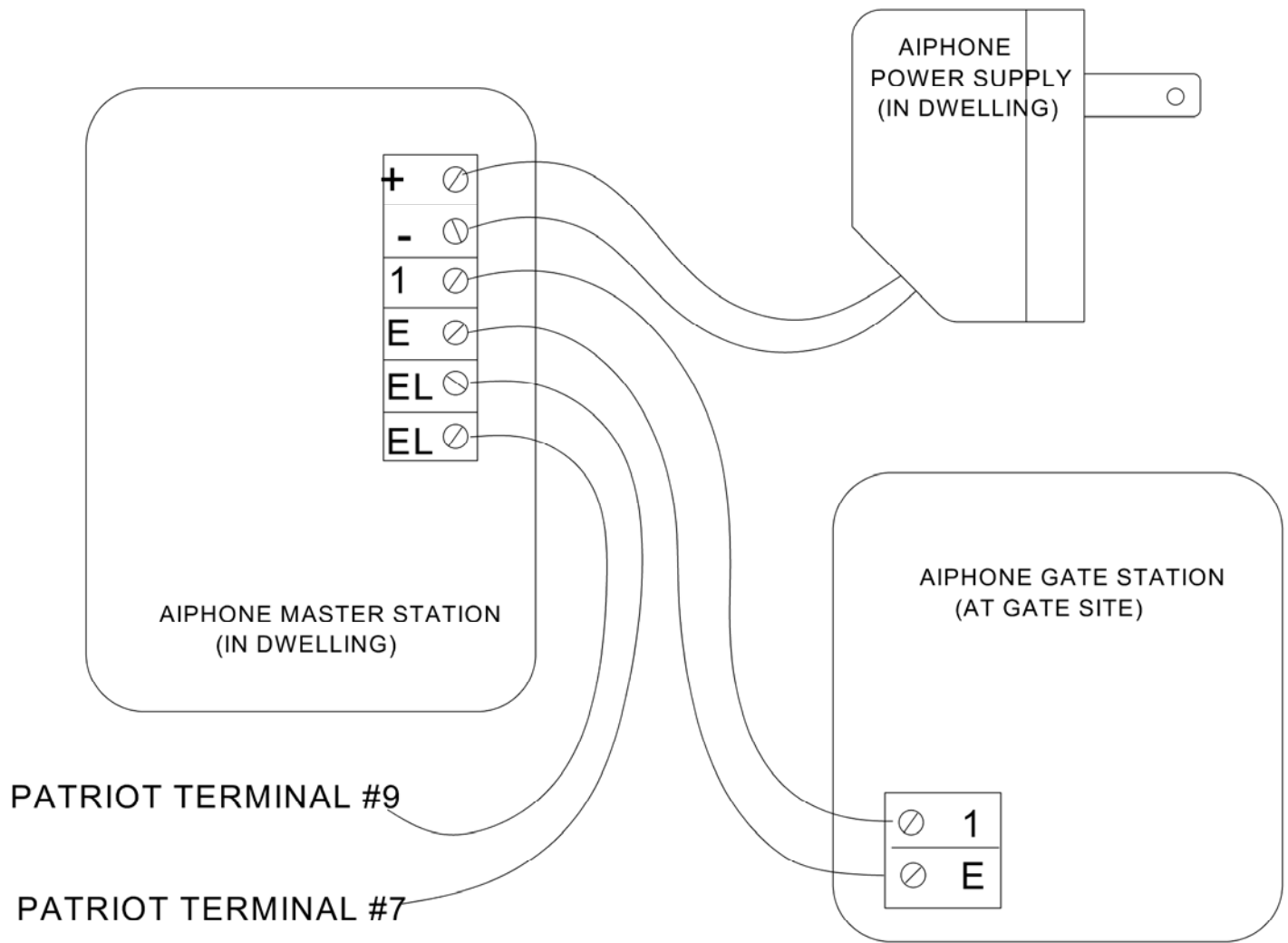


AIPHONE INTERCOM WITH GATE OPENER CONTROL WITH PATRIOT GATE OPERATORS



Locating the equipment; Mount the Master Station in a convenient place in the home. It makes it easier to wire the unit if you locate it near a 120 volt A.C. wall receptacle. The Power Supply plugs in the wall receptacle and supplies the power to the entire system from there. There is no need for a second power supply at the gate site. Wiring: You need 4 conductors (two pair) of direct burial, shielded telephone wire to run between the master station and the Gate Site. Use the gate operator control cabinet as a junction box. See drawing below.

