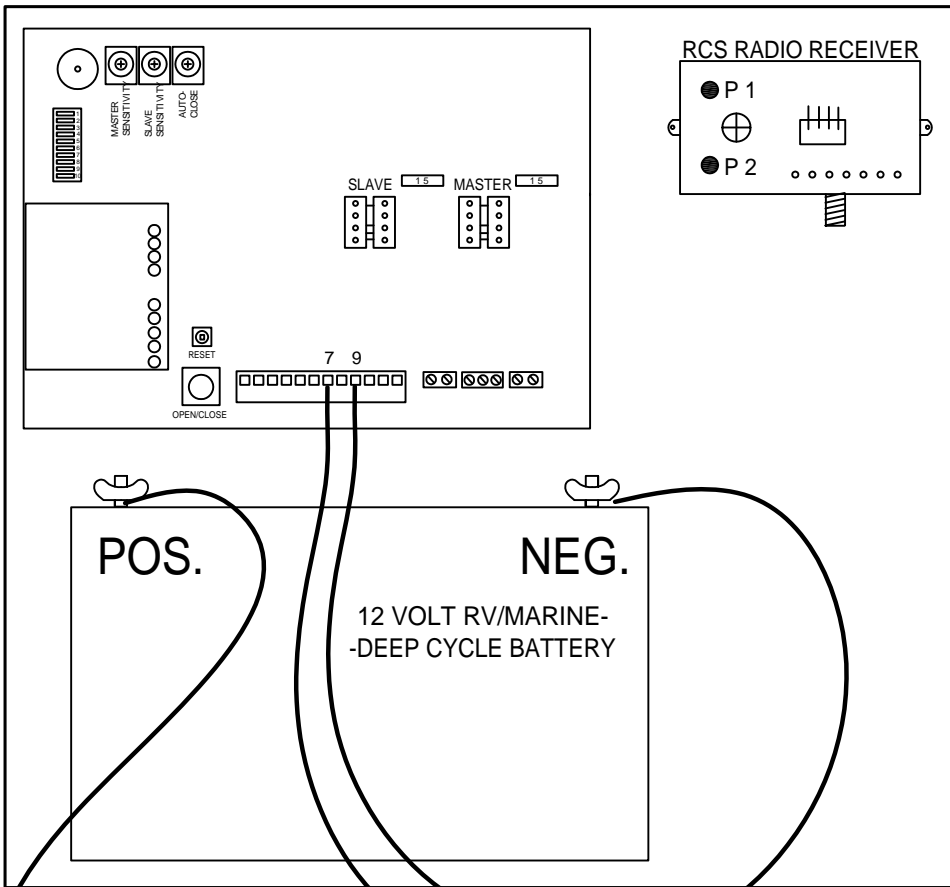


LINEAR AK-1 KEYPAD WITH PATRIOT OPERATOR



THE AK-1 KEY PAD CONNECTS DIRECTLY TO THE PATRIOT OPERATOR USING FOUR CONDUCTOR (TWO PAIR) LOW-VOLTAGE WIRE AS SHOWN IN ILLUSTRATION. PLEASE SEE THE INCLUDED FULL INSTRUCTION SET FROM LINEAR FOR PROGRAMMING INSTRUCTIONS AND OTHER APPLICATIONS.

IMPORTANT!

IF YOUR PATRIOT IS A SOLAR MODEL, IT IS RECOMMENDED THAT YOU DISCONNECT THE LIGHT ON THE FACE OF THE KEYPAD. THE TWO SMALL LED'S CAN REMAIN CONNECTED

← PATRIOT CABINET

