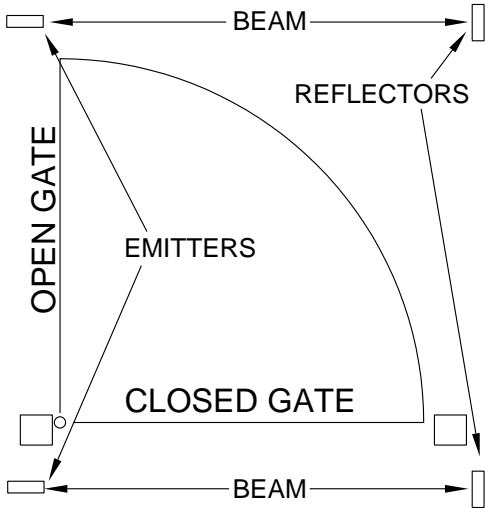
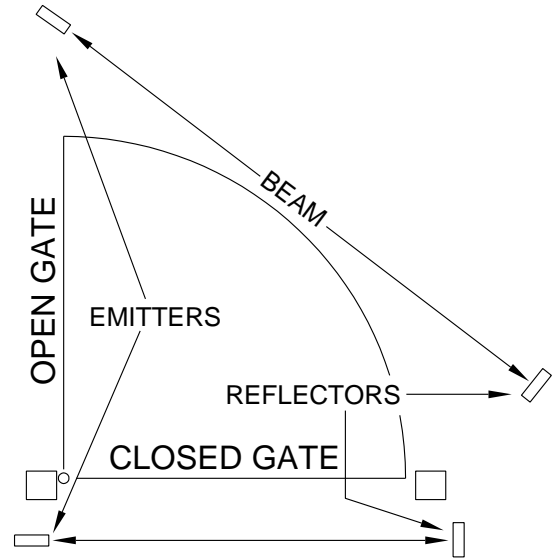


VICTORY PB1200 PHOTO EYE

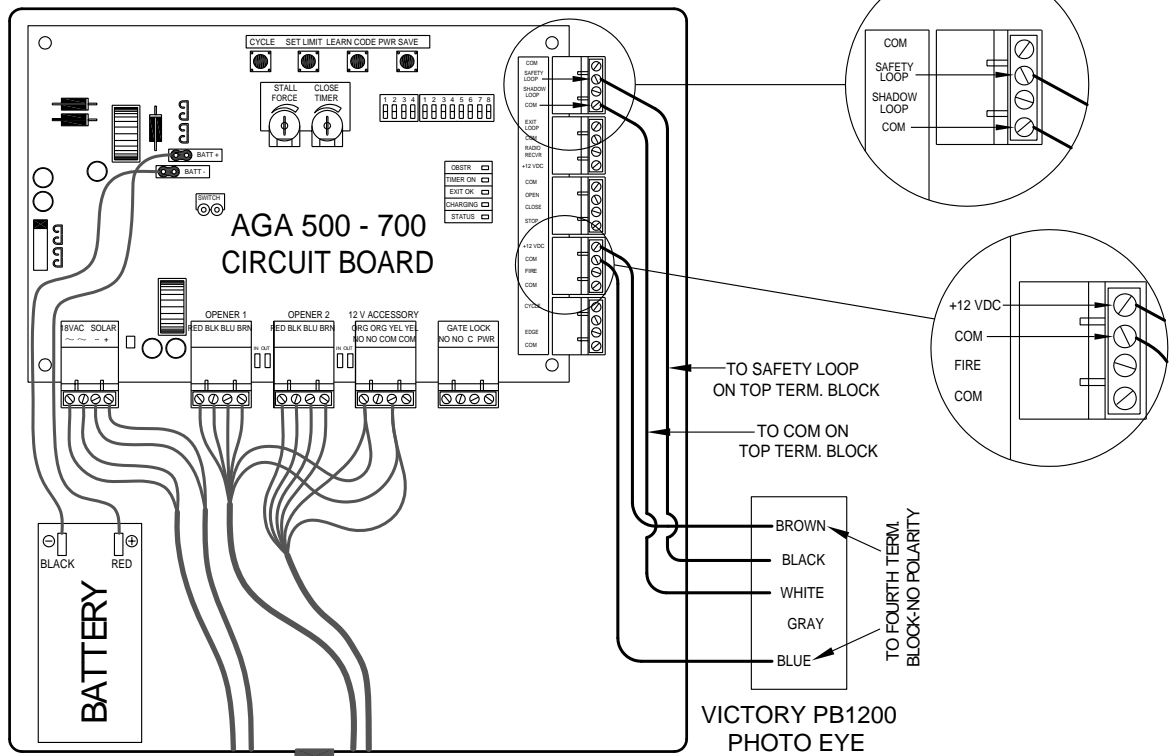
PAIRED WITH AGA GATE OPERATORS



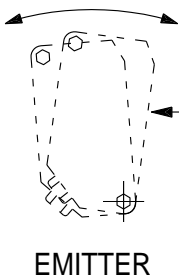
Here are two configurations for using two sets of photo-eyes as "auto-reversing" controls. We recommend using 3' to 4' pieces of redwood or landscaping timbers as mounting posts, setting the photo-eyes about 16" above grade. To test, make sure units are powered, then break the beam. You should hear a small click in the EMITTER module.



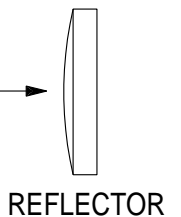
The PB1200 photo-eye has two parts: the EMITTER and the REFLECTOR. The EMITTER HAS 5 screw terminals labeled by color. Attach the terminals in the emitter to those in on the gate operator circuit board as shown below. Use a direct-burial type of control wire like "sprinkler wire" and position the emitter on the hinge-side of the gate. This requires less wire and less digging.



The EMITTER is adjustable so you can make sure the reflected light beam is returning to the unit from the REFLECTOR.



***Use these instructions in combination with the Victory PB 1200 instructions that come with the photo eye.**



This document was created with Win2PDF available at <http://www.win2pdf.com>.
The unregistered version of Win2PDF is for evaluation or non-commercial use only.