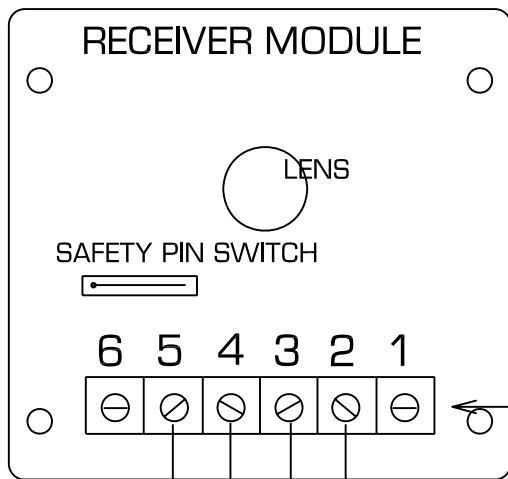


EMX P-44 PHOTO EYE WITH DK 6100 GATE OPERATORS

FIGURE A

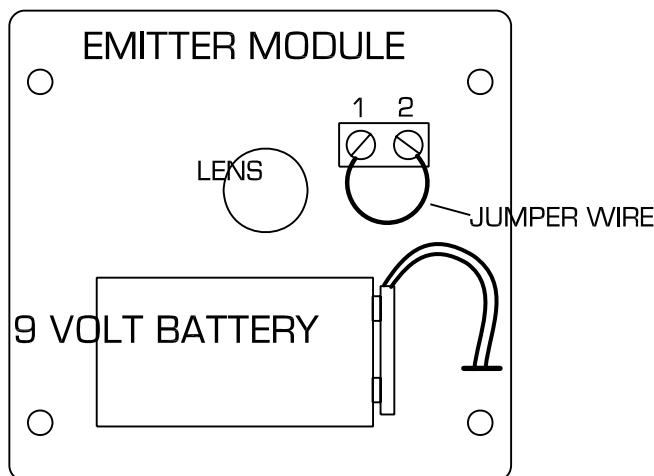


The P-44 photo-eye has two parts: the Receiver which has the terminal strip containing 6 screws [fig. A at left] Terminals #2 thru #5 in the receiver are attached to terminals in the Gate Operator as indicated in the drawing. Be sure to close the blue "safety-pin" style switch that is just above the terminal strip toward the left side. This receiver module is best mounted on the hinge-side [operator side] of the gate.

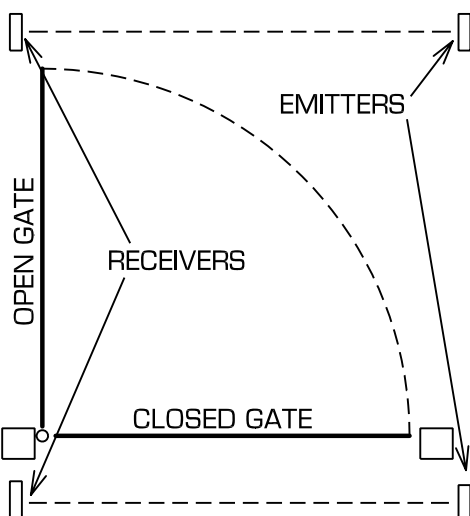
DO NOT USE #1 OR #6

- 12-24 volts AC or DC
- 12-24 volts AC or DC
- DK 9100 Terminal #15
- DK 9100 Terminal #20

FIGURE B



The Emitter [figure B at left] is the module with the plastic plug-in strip for a 9 volt battery. Two connections must be made here. There must be a short jumper wire connecting Terminals 1 and 2 as shown and then a 9 volt battery must be connected as shown. Once the battery is connected, the green light should blink indicating the emitter is functioning.



Here are two configurations for using two sets of photo-eyes as "auto-reversing" controls. We recommend using 3' to 4' pieces of redwood or landscaping timbers as mounting posts, setting the photo-eyes about 16" above grade. To test, make sure units are powered, then break the beam. You should hear a small click in the receiver module.

