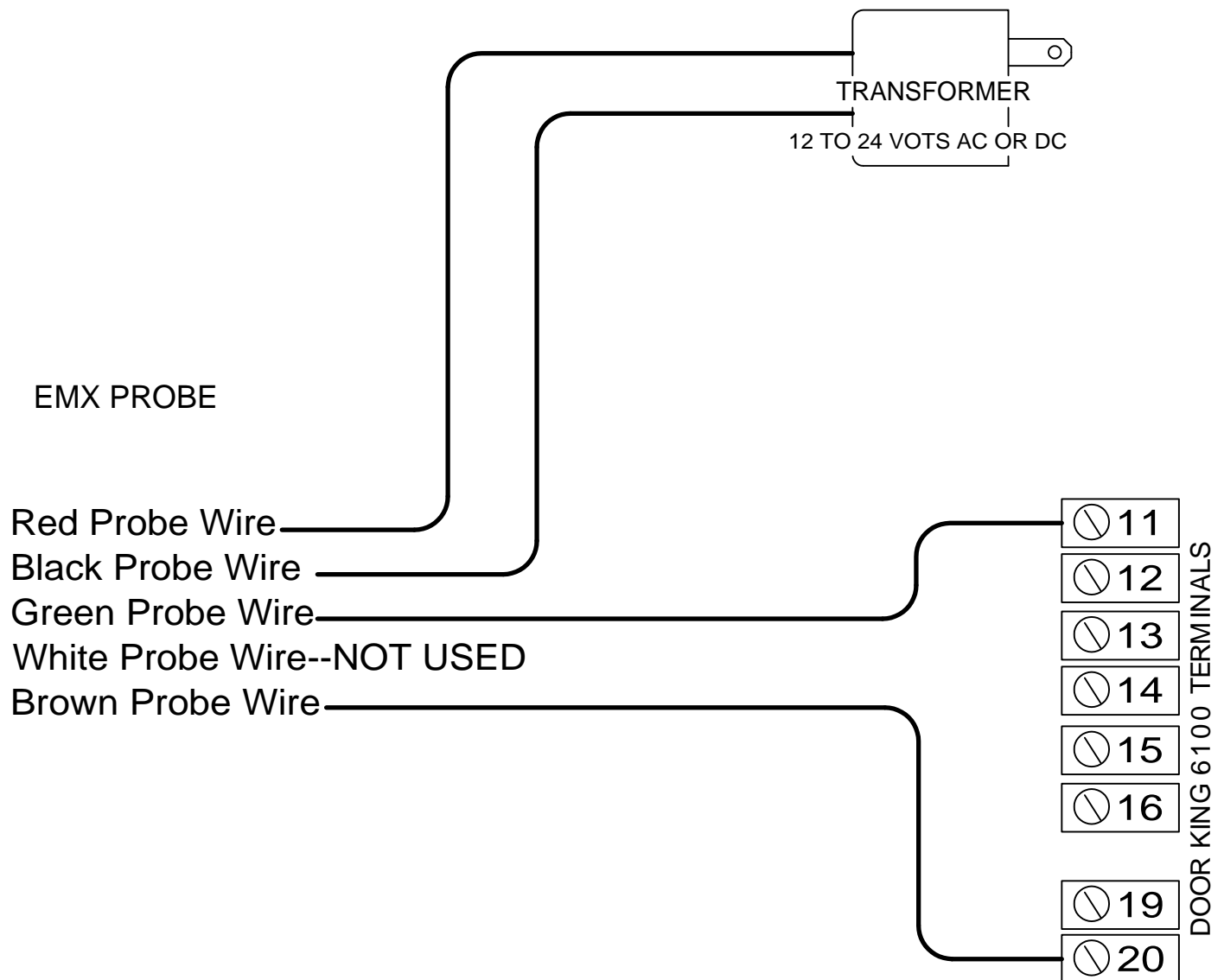


# EMX CS-202-S FREE-EXIT SENSOR WITH DK 6100 GATE OPERATORS



## WARNING !

NEVER USE THIS TYPE OF SENSOR AS AN AUTO-REVERSING DEVICE OR FOR ANY "PRESENCE" DETECTION APPLICATION. THIS SENSOR REQUIRES THAT THE VEHICLE BE IN MOTION FOR DETECTION TO OCCUR.